



KIBO SELECTOR

I N S T A L L A T I O N M A N U A L

We would like to thank you for choosing this product. In order to obtain the best performance from the automatism, the Aprimatic Company recommends that you carefully read and follow the installation and use instructions provided in this manual. The installation of this automatism must be performed only by professionally qualified personnel to whom this manual is directed. Any errors in the installation phase may be dangerous for persons or objects. The packaging material (wood, plastic, boxes, etc.) should not be disposed of in the environment or left within the reach of children, as it is potentially dangerous. Each individual phase of the installation must be performed in conformity with the current regulations and, in any case, according to the dictates of general good practices. Ensure, before beginning the installation, that the product is integral and has not been damaged during transport or from improper storage. The product absolutely must not be installed in environments with inflammable gases, vapors or fumes. Record on each installation the identification data of the motorized door. Verify that the electrical system upstream is correctly dimensioned and has all the suitable protections (differential switch and overload protection). When performing maintenance or repair, use only the original spare parts. Do not tamper with or alter for any reason the internal equipment of the device and all the safeties provided in the control unit. The manufacturer accepts no responsibility in the event that the internal parts of the automatism are altered or tampered with or if safety devices are used in the system other than those indicated by the manufacturer. The installer of the automatism is obligated to provide the manager of the automated entrance with the use manual and all the information necessary for the correct use in automatic operation, manual operation (also in the case of electric locking) and in emergencies. This device has been exclusively designed for the control of automatisms for swinging doors of the produced by APRIMATIC. Any other use will be considered contrary to the use provided for by the manufacturer that, therefore, cannot be held responsible.

Machines directive

According to directive 98/37/EC, the installer that motorizes a door becomes the builder of the automatic door machine and must:

- Prepare the Technical File with the documents indicated in Annex V of the Machines Directive and conserve it for at least 10 years.
- Write up the EC declaration of conformity according to Annex II-A of the Machines Directive and deliver a copy to the user.
- Affix the EC mark on the motorized door according to point 1.7.3 of Annex I of the Machines Directive.

Directive of conformity for machines

(Directive 98/37 EC, Annex II, part B)

Manufacturer: APRIMATIC S.p.A.
Address: V.L.da Vinci 414 - 40059
Villafontana di Medicina -
BO

Declares that the product KIBO LOGICS SELECTOR

- has been built to be incorporated in a machine or to be assembled together with other machinery in order to construct a machine considered by the Directive 98/37 EC, as modified;
- thus it does not satisfy all points of the dispositions of this Directive as it is not yet assembled with the other components.
- satisfies the conditions of the following other EC Directives: 89/336/CEE Electro-magnetic compatibility and further modifications 2006/95 CE Low Voltage and further modifications and also declares that the machinery can not be used until the machine it is incorporated in or is a component of has been identified and its conformity to Directive 98/37 CE conditions and national legislation declared.

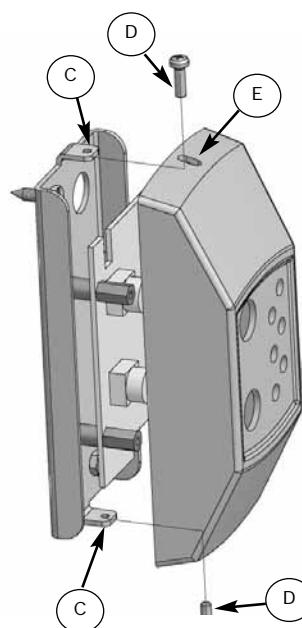
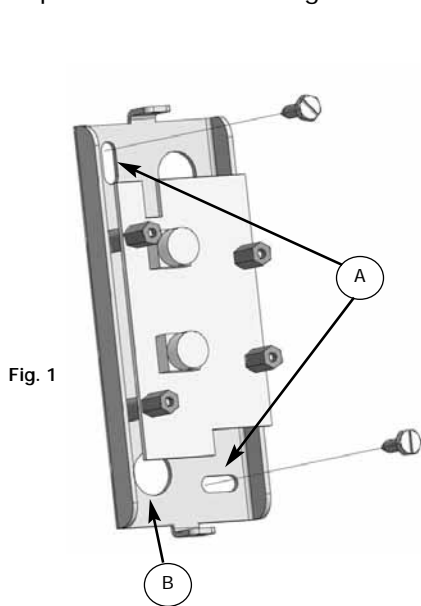
Villafontana di Medicina, 09/09/2007

Dott. Alessandro Minelli
(Administrator)

Fastening and arrangement of the casing

The KIBO Logics Selector has been designed to be connected with APRIMATIC automatism. It is usually fastened to a suitable support near the automatic entrance. To perform the fastening to a wall proceed as follows:

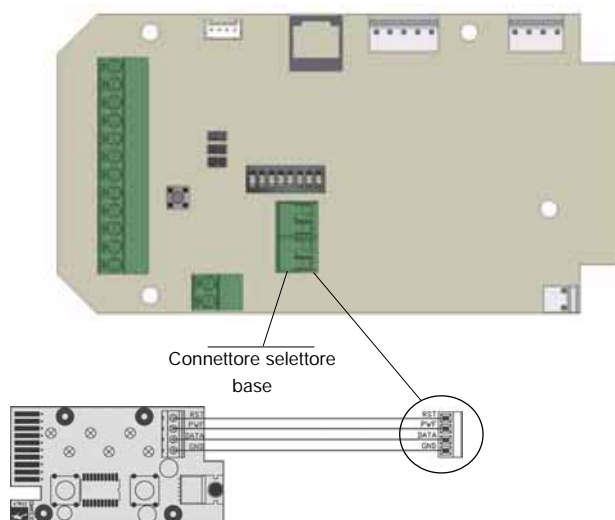
- Open the selector's case unscrewing the screws **D Fig.2**, that hold together cover and metal base.
- Insert the cable of connection with the automatism into the hole **B Fig.1**.
- Use the loops **A Fig.1** to fasten the selector with appropriate screws, being careful that the connection terminal box is turned downwards.
- Position the cover by centering it on the appropriate supports **C Fig.2** so that the led indicators are housed correctly in the appropriate seats. Pay particular attention to not damage the led indicators during the insertion.
- Insert the screws **D Fig.2** through the slots of the cover **E Fig.2** and then screw them into the threaded holes **C Fig.2** until they graze the cover.
- Apply light pressure to the cover in the direction of the arrows of **Fig.2** in order to guarantee a complete resting of the cover on the four spacers provided and simultaneously block the screws **D Fig.2**.
- Verify the correct operation of all the keys of the full selector: if problems appear, loosen the screws **D Fig.2** and repeat the sequence for the mounting of the cover.



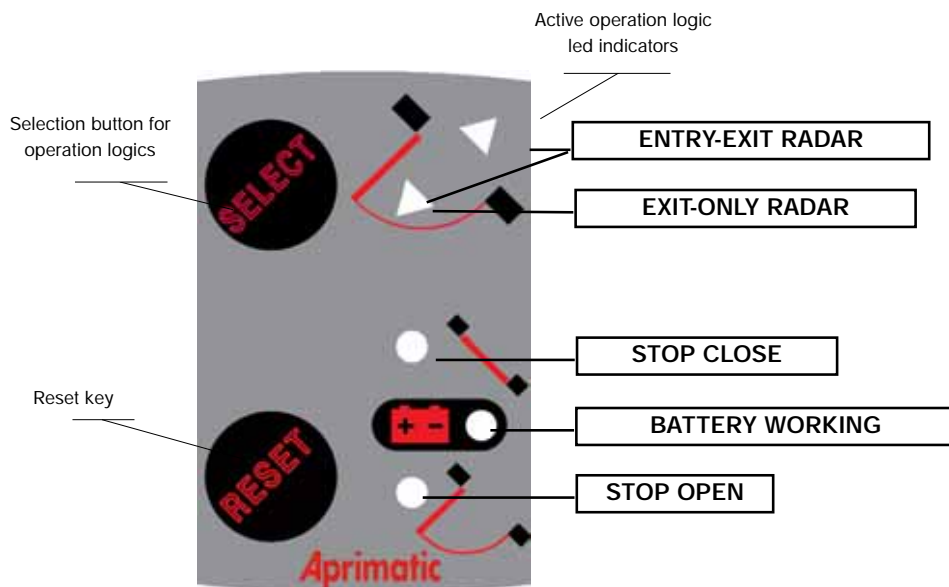
Electrical Connections

⚠ WARNING

For the connection, use a shielded cable with 4 wires of 0.22 mm (max.50 m): connect the 4 internal conductors of the shielded cable respecting the correspondences printed both on the terminal box of the electronic main and on that of the multilogics elector. Do not connect the shield of the cable used.



Description and use of the KIBO selector



Operating logics

With the KIBO selector it is possible to select the following operation logics of the automatism:

- **Stop Close** : the automatism controls the complete closure of the door wings. In this logic the inputs START1 and START2 of the electronic control card are not monitored; if present, the electric locking system blocks the door wings.
- **Stop Open** : the automatism controls the complete opening of the door wings. In this logic the inputs START1 and START2 of the electronic control card are not monitored.
- **Entry-exit radar** : both the inputs START 1 and START 2 of the electronic control card are monitored. A signal originating from a sensor connected to one of these inputs triggers the opening and consequent closing of the door wings. The electric locking system, if present, never blocks the door wings.
- **Exit-only radar**: only the input START 2 of the electronic control card is monitored. A signal originating from a sensor connected to this input triggers the opening and consequent closing of the door wings. The electric locking system, if present, blocks the door wings every time that these reach the position of complete closure

The led indicators indicate the logic currently active (led lit up). To change the logic press the SELECT key; each time the key is pressed the led corresponding to the various logics lights up in sequence. When the desired logic is reached, the led blinks for a few seconds; when the light remains on, the control card acquires the new logic.

- **Battery working** : logic not selectable
led lit up : automatism battery-powered
blinking led: exhausted battery



RESET key : reset both the control unit and the selector



SELECT key: allows the selection of the operating logic



Aprimatic S.p.A.

Zona Industriale Fossatone
40060 Villa Fontana • Medicina • Bologna (ITALY)
Tel: +39 051 6960711 • Fax: +39 051 6960722
www.aprimatic.it • E-mail: info@aprimatic.com